

DRIVEWAY

UVA/UVB resistant lighting fixture with 5 years guaranty for homogeneity and equity of the colour of the resin

IP68, completely waterproof solution for outdoor use, great for all wet environment applications such as drive ways, walking pads, swimming pools, saunas, ponds, shower floors/walls, elevations of the buildings, ships, bridges and so on. Proven in laboratory test results resistant to all cleaning solvents, including chlorine and salt water. IK10, meet the anti deft requirements and damage rezistant to the high IK10 standard. Entire lamp with the ground base has pass the pressing resistant of 30kN test, so can be freely installed into the drive ways.

LED's are 100% safe, we have right equipment and right resin technology in place

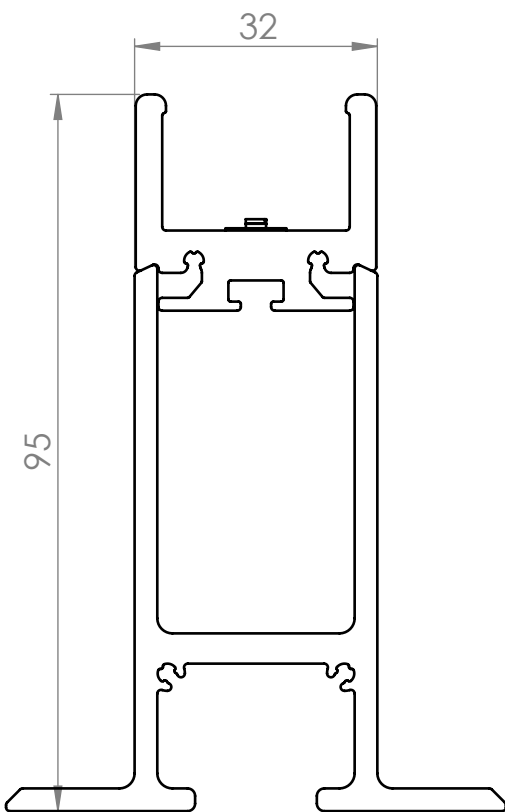
We create the "soft pillow" over the LED's with the soft transparent resin, so the contractions, stress and other harm forces which can be transmitted thru the frame can not damage the housing of the single led. This is why our solution is 100% safe and secure for the LED's. Our resin do not get into the chemical reaction with phosphor which is part of the less. The top part of the filling remain hard and resistant for all cleaning chemicals and salt water. The colour and light transmission ability depends of few aspects which can be modify by us according to customer demand and product limitations. International certificate CB and ENEC are pending.

Available Lengths

The product is length customised, that means we are prepare to produce and deliver the IP68 products up to 5000mm long units. OSRAM LED source as the guarantor of the quality, for that highly specialised product we have chosen Osram. We instal and supply products with Osram LED stripe inside. Customise options on the LEDs type and brand are available for future customers demand.

All connections are IP68

All connections are IP68 secure with dedicated sockets with IP68 rate. Cable is VDE certified and can be use in the ground. We offer extensions, t-connectors and spare sockets to finish your installation.



TECHNICAL DATA	
Power Supply Voltage	24 [V]
Power Supply Type	Constant Voltage (DC)
Total power consumption	~9,7 [W/m]
Typical Luminous Flux	~850 [lm/m]
Typical Luminous Efficacy	~88 [lm/W]
LED stripe	LINEARlight FLEX ShortPitch 
LED quantity	120 [pcs/m]
Color temperature	2400 - 5000 [K]
CRI	>80
Dimension (W x H)	32 x 95 [mm]
Length	max 5000 [mm]
Housing material	anodized aluminum
Filling material	polyurethane resin
End caps	aluminum casting
Operating temperature range	-30 [°C] ... +75 [°C]
Energy efficiency class	A++
Type of protection	IP68
Application	driveway

AVAILABLE CONFIGURATIONS

ORDERING CODE	LEDs	Typ. colour temp. [K]	Power [W/m]
824SP	Osram Short Pitch 824, CRI>80	2400	9,7
827SP	Osram Short Pitch 827, CRI>80	2700	
830SP	Osram Short Pitch 830, CRI>80	3000	
840SP	Osram Short Pitch 840, CRI>80	4000	
850SP	Osram Short Pitch 850, CRI>80	5000	
ECO-827TR-SNC	Tridonic LLE FLEX 827, CRI>80	2700	5
ECO-830TR-SNC	Tridonic LLE FLEX 830, CRI>80	3000	
ECO-840TR-SNC	Tridonic LLE FLEX 840, CRI>80	4000	
PRO-927TR	Tridonic LLE FLEX 927, CRI>90	2700	11
PRO-930TR	Tridonic LLE FLEX 930, CRI>90	3000	
PRO-940TR	Tridonic LLE FLEX 940, CRI>90	4000	
LF3000-824	Osram FlexPower LF-3000 series 824	2400	28,9
LF3000-827	Osram FlexPower LF-3000 series 827	2700	23,7
LF3000-830	Osram FlexPower LF-3000 series 830	3000	23,7
LF3000-840	Osram FlexPower LF-3000 series 840	4000	21,8
TWSP	Osram Tunable White Short Pitch	2400-5400	
LF05CA2-RGB	Osram RGB		
C	Customize under client specification		

LEDs		Power			
DR	824SP	O	9,7W	1	0.5M

Finish		Length	Connection cable
ORDERING CODE	Finish		
O	opal hard finish on top, soft transparent pillow over leds		
T	transparent hard finish on top, soft transparent pillow over leds		

ORDERING CODE	Available length [mm]
1	1020
2	2020
3	3020
4	4020
5	4990
0.3-...-5	Customize lenght up to 4990 mm

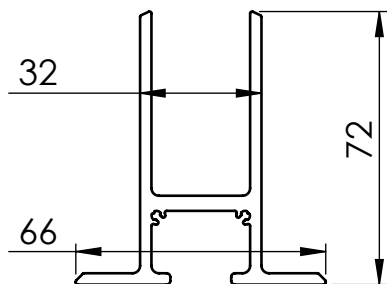
ORDERING CODE	Cable length [m]
0.5M	0.5m IP68 (male)
0.5MF	0.5m IP68 (male/female)
0.5F	0.5m IP68 (female)
3F	3m IP68 (female)

ACCESSORIES

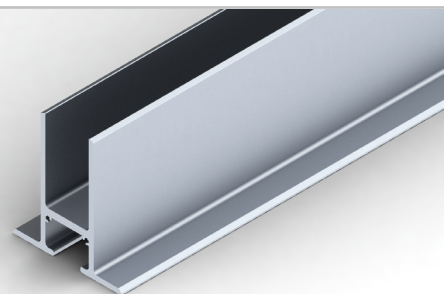
LEDs-ON

... quality aluminum led profiles producer

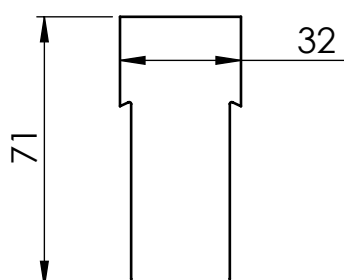
1. Mounting base



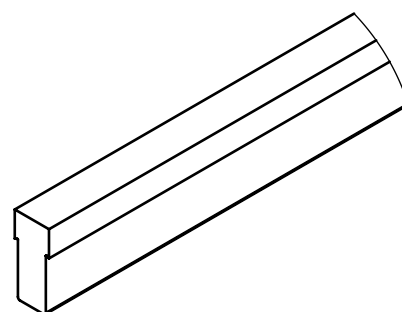
Product code	AL-DR-BASE
Material	anodized aluminum
Colour	silver



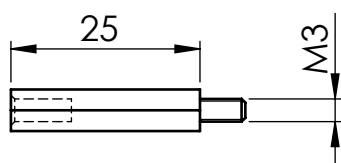
2. Mounting aid



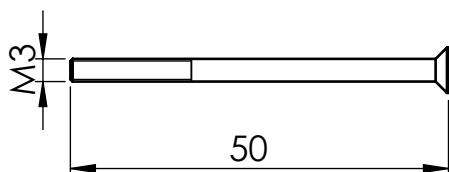
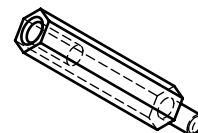
Product code	FO-DR-1
Material	Foam
Colour	white



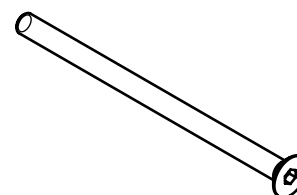
3. Mounting set, profile to base: screw + spacer bushing, hexagonal



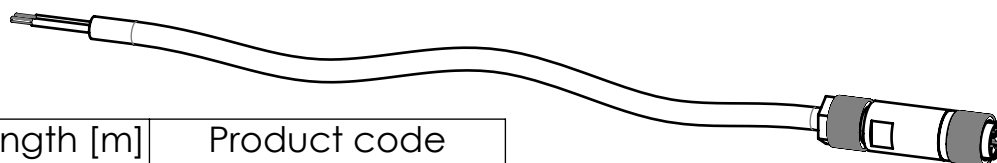
Product code	MC-DR2
Material	stainless steel
Colour	silver



Product code	MC-DR3
Material	stainless steel
Color	silver



4. Female connector with cable



Available length [m]	Product code
0.5	IP67-CB2P-0,5M
3	IP67-CB2P-3M