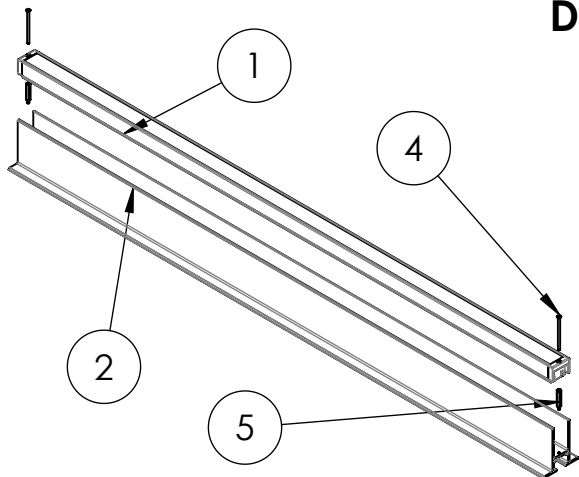


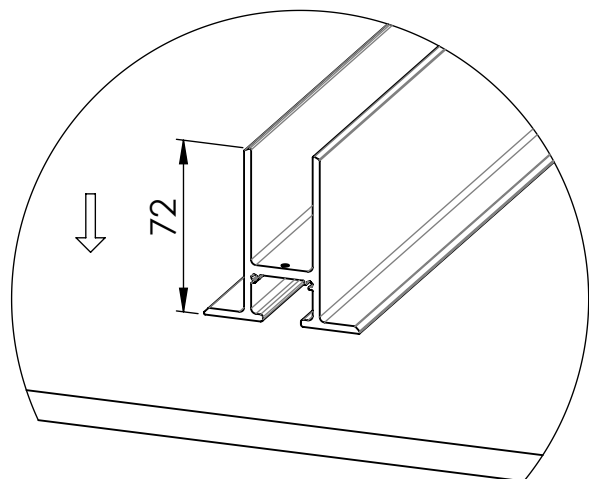
DRIVE WAY

List of luminaire components

No.	Code	Comment
1	AL-DR	aluminum lighting profile
2	AL-DR-BASE	mounting base
3	IP67-CB2P-0,5F	female connector with cable
4		screw M3x50
5		spacer bushing (hexagonal)
6		mounting aid

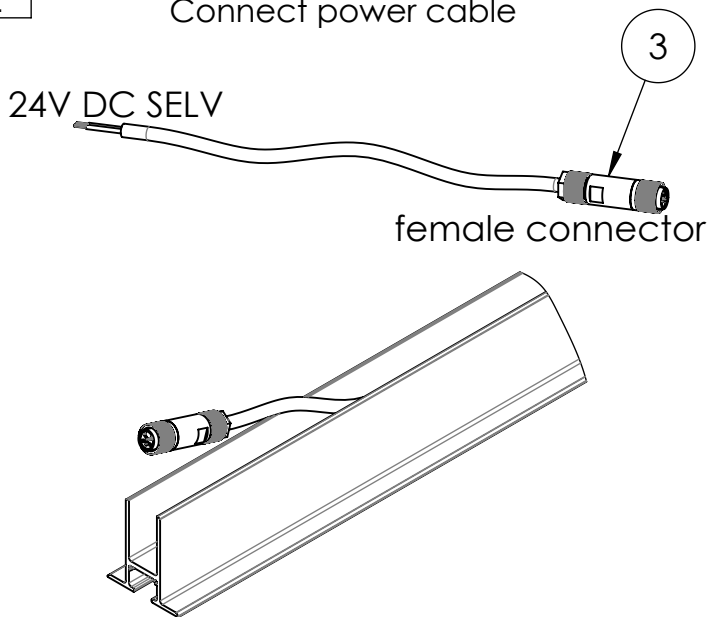


1 Set the mounting base height for underground installation

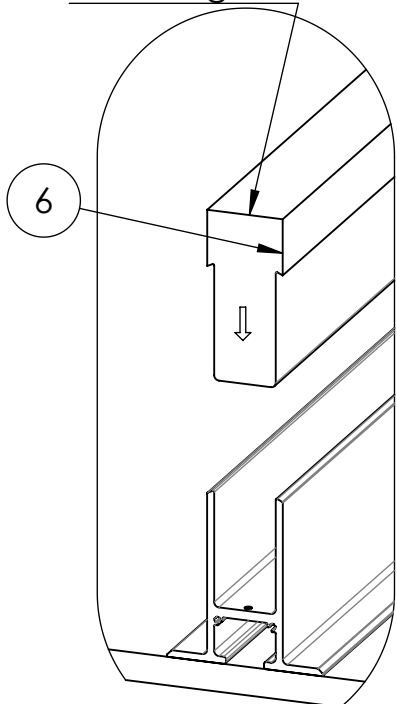


2 Connect power cable

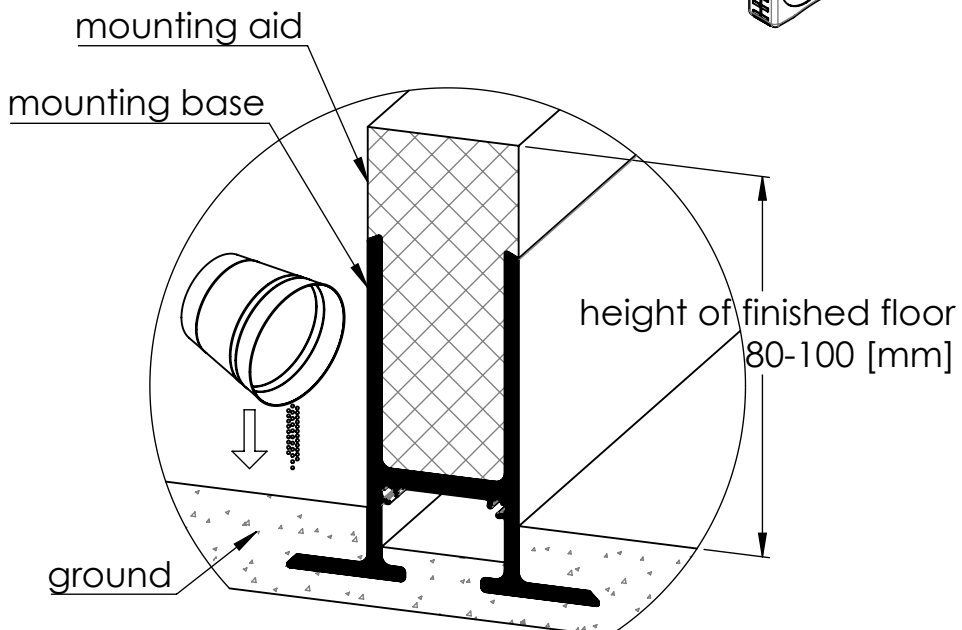
24V DC SELV

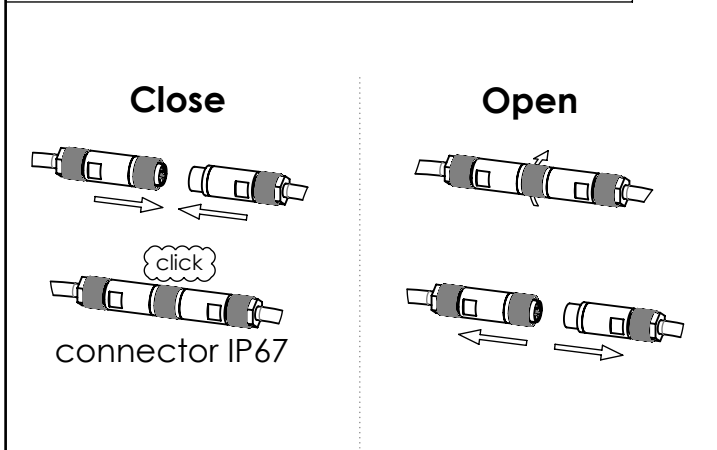
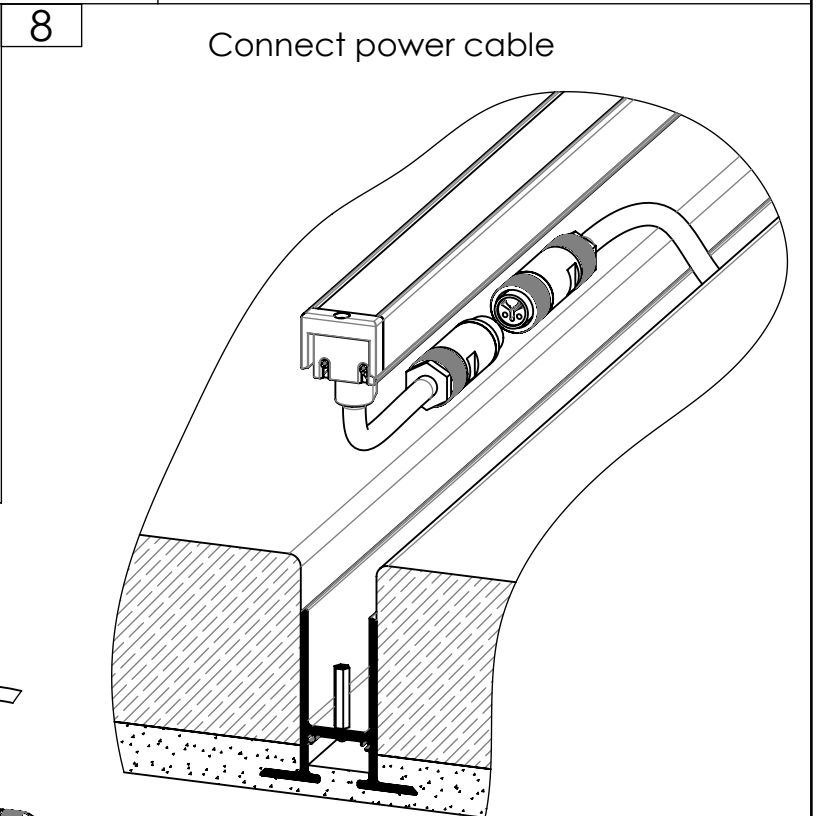
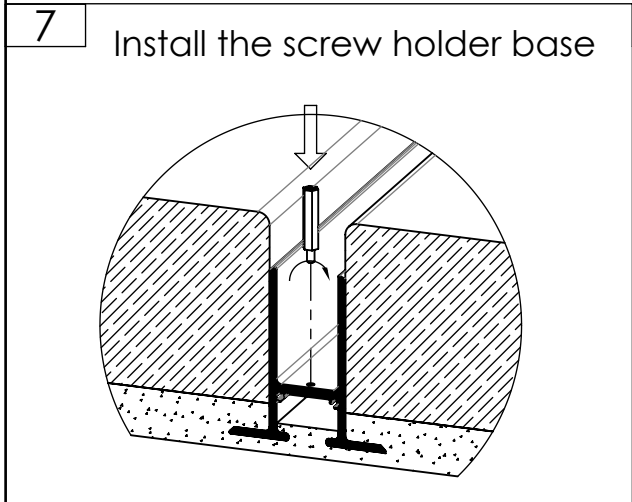
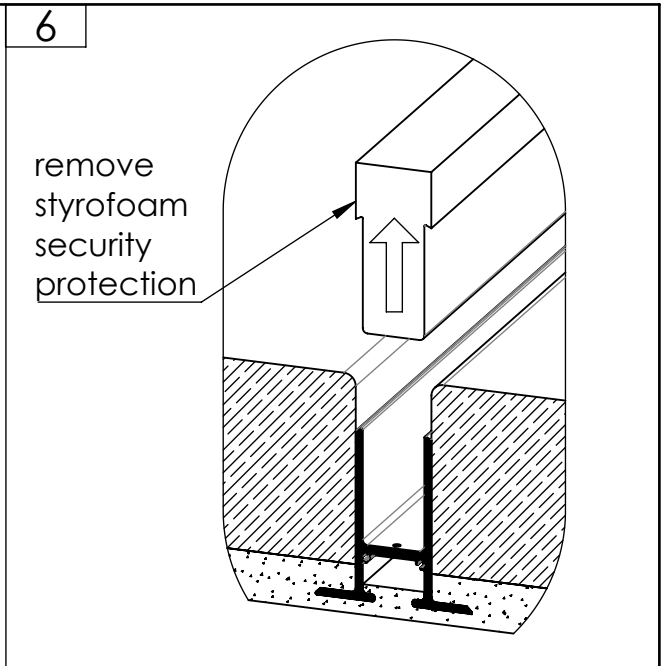
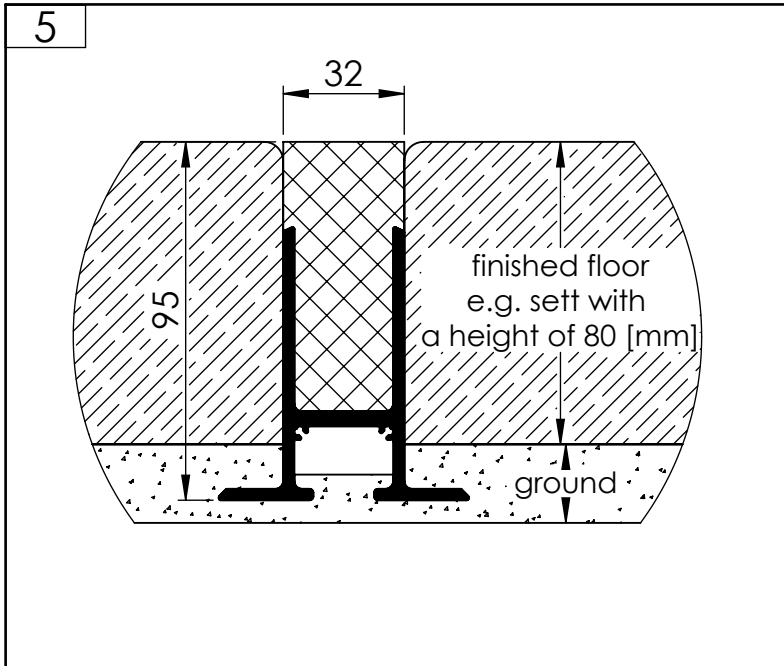


3 mounting aid



4 Set the appropriate height





Linear connection

